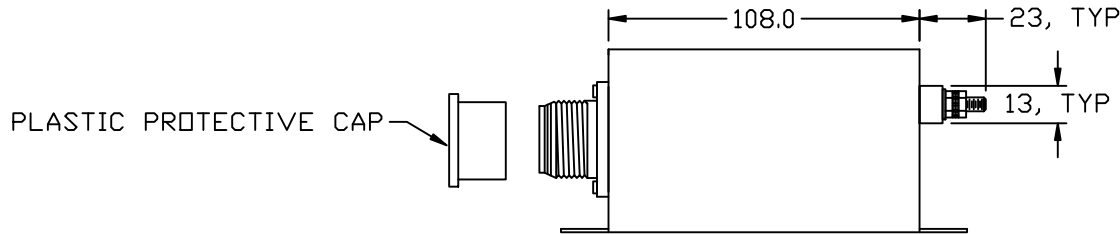
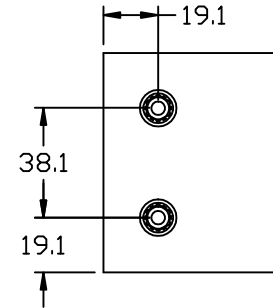
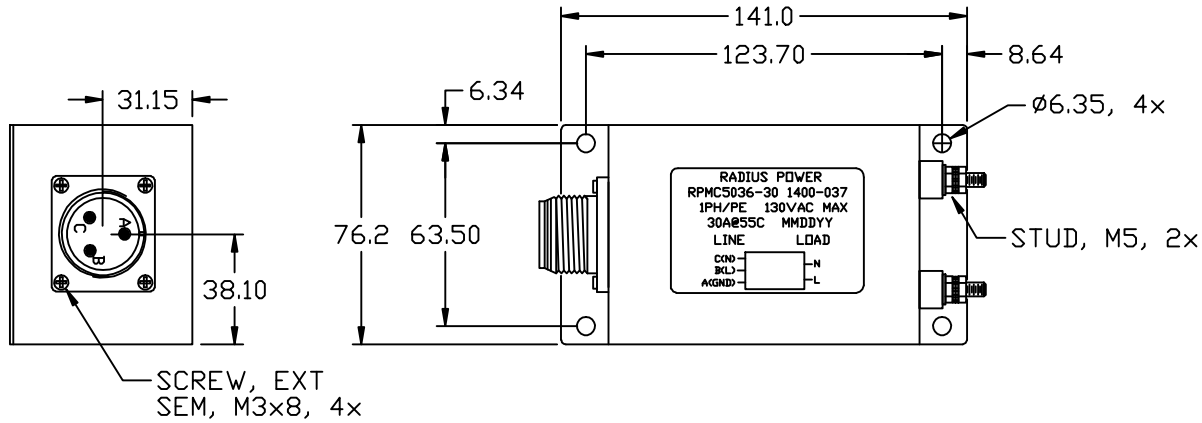
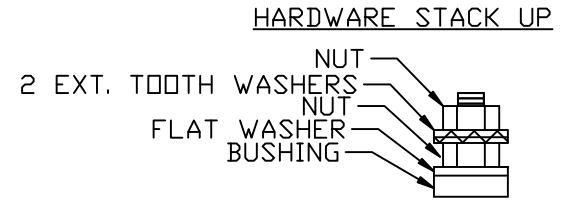
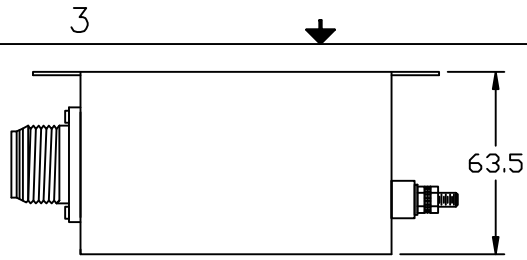


MECHANICALS

INPUT	OUTPUT
PIN A	GND TO CHASSIS
PIN B	LINE (L)
PIN C	NEUTRAL (N)



MODEL	RPMC5036-30	
ITEM CODE	1400-037	
UNITS	MM	
DATE	040710	
HOUSING	CRS / NICKEL DR TIN	
REV	A	
RoHS		
CPN		
SAFETY		
MAX VOLT	130VAC	
MAX CURR/LINE	30A	
FREQ(HZ)	50/60	
AMB(C)	55	
STORAGE TEMP	-40 TO 100C	
CLIM CLASS		
WT(LB/KG), TYP	2.8/1.2	
HIPOT, LG (VDC)	1.8K	
TYP LK CURR	0.8mA (250V/60HZ)	
PWR DISS	11W	AN ASTRODYNE COMPANY
ANGLE=±0.5°	0.0/0.00=±0.5/±0.25	
	CONFIDENTIAL DOCUMENT	

# Mouser Electronics

Authorized Distributor

Click to View Pricing, Inventory, Delivery & Lifecycle Information:

[Astrodyne TDI:](#)

[RPMC5036-30](#)